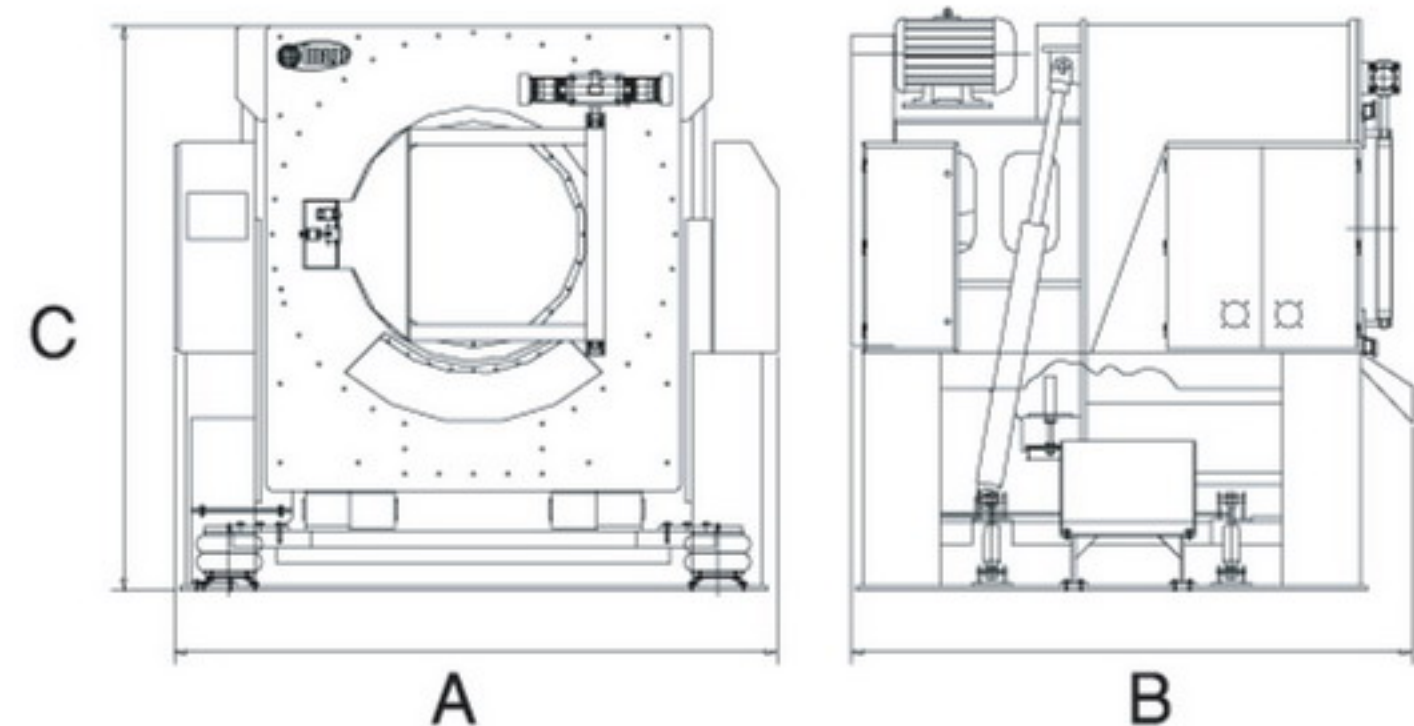


Specifications

MODEL	Metric	US	SA-275	SA-300	SA-475
Capacity ration 1:10	Kgs.	Lbs.	125 (275)	136 (300)	215 (475)
Overall Dimension					
A - Width	mm.	Inch.	1880 (74.01)	1880 (74.01)	2620 (103)
B - Depth	mm.	Inch.	2175 (85.63)	2295 (90.36)	2475 (97.4)
C - Height	mm.	Inch.	2150 (84.65)	2150 (84.6)	2540 (100)
Wash Cylinder Information					
Basket Diametet	mm.	Inch.	1321 (52)	1321 (52)	1625 (64)
Basket Depth	mm.	Inch.	864 (34)	965 (38)	1060 (41.7)
Basket Volume	Cu.m.	Cu.ft.	1.18 (41.8)	1.32 (46.7)	2.2006 (77.7)
Motor					
Size	kW	HP	18.5 (25)	22 (30)	30 (40)
Cylinder Speeds (Programmable)					
Wash	G	rpm	0.8 (33)	0.8(33)	0.8(30)
Distribution	G	rpm	2.6 (60)	2.6 (60)	2.6(53)
Intermediate Extraction	G	rpm	80 (330)	80 (330)	80(296)
High Extract 1	G	rpm	140 (435)	140 (435)	140(392)
High Extract 2	G	rpm	220 (545)	220 (545)	220(492)
High Extract 3	G	rpm	321 (660)	321 (660)	310(584)
Door Opening					
Door Opening Diameter	mm.	Inch.	1009.7 (39.7)	1009 (39.7)	1009.7 (39.7)
Height to bottom of door	mm.	Inch.	925 (36.42)	925 (36.42)	1611 (63.25)
Drain System					
Overflow Size	mm.	Inch.	63.5 (2.5)	63.5 (2.5)	63.5(2.5)
Drain Outlet Size	mm.	Inch.	101.6 (4)	101.6 (4)	203(8)
Number of Drain Outlet	Standard	Optional	1 (2)	1 (2)	2
Steam Inlet					
Connection Size	NPT		1"	1"	1-1/4"
Water Inlet					
Connection Size	NPT		1-1/4"	1-1/2"	2"
Number of Water Inlet	Standard	Optional	2	2	2
Chemical Supply System					
Number of Dry Chemical Compartments	Standard	Optional	5	5	5
Number of Liquid Supply Connections	Standard	Optional	5	5	5
Liquid Supply Connection Size	NPT		1/2"	1/2"	-
Weight and Shipping Information					
Net Weight	Kgs.	Lbs.	3860 (8510)	3977 (8750)	8550 (18850)
Domestic Shipping Weight	Kgs.	Lbs.	3950 (8700)	4090 (9000)	8806 (19414)

Specification and Design subject to change without notice
Additional options : Consult factory or distributor



Standard Features :

- Heavy duty frame
- Stainless steel panels
- All wetted parts are 304 (18/8) stainless steel
- Air operated door gasket
- Large door opening
- 5 compartment supply dispensers
- 6 external liquid supply connections
- Totally enclose heavy duty drive motor
- Bearing outside the wash solution
- 3 degrees lean back for lower bearing loads
- Heavy-duty suspension system

Optional Features :

- Tilt one way for easy unloading
- Tilt two way for loading and unloading
- Aircushion suspension system
- Direct steam heating (some models)
- Water reuse inlet and drain
- EMI filter for CE
- PC programming kit
- Water reuse capability
- Integration with control automation control

SA

Series
275 pound
300 pound
475 pound



SA-475